

6

5

4

3

2

1

D

D

C

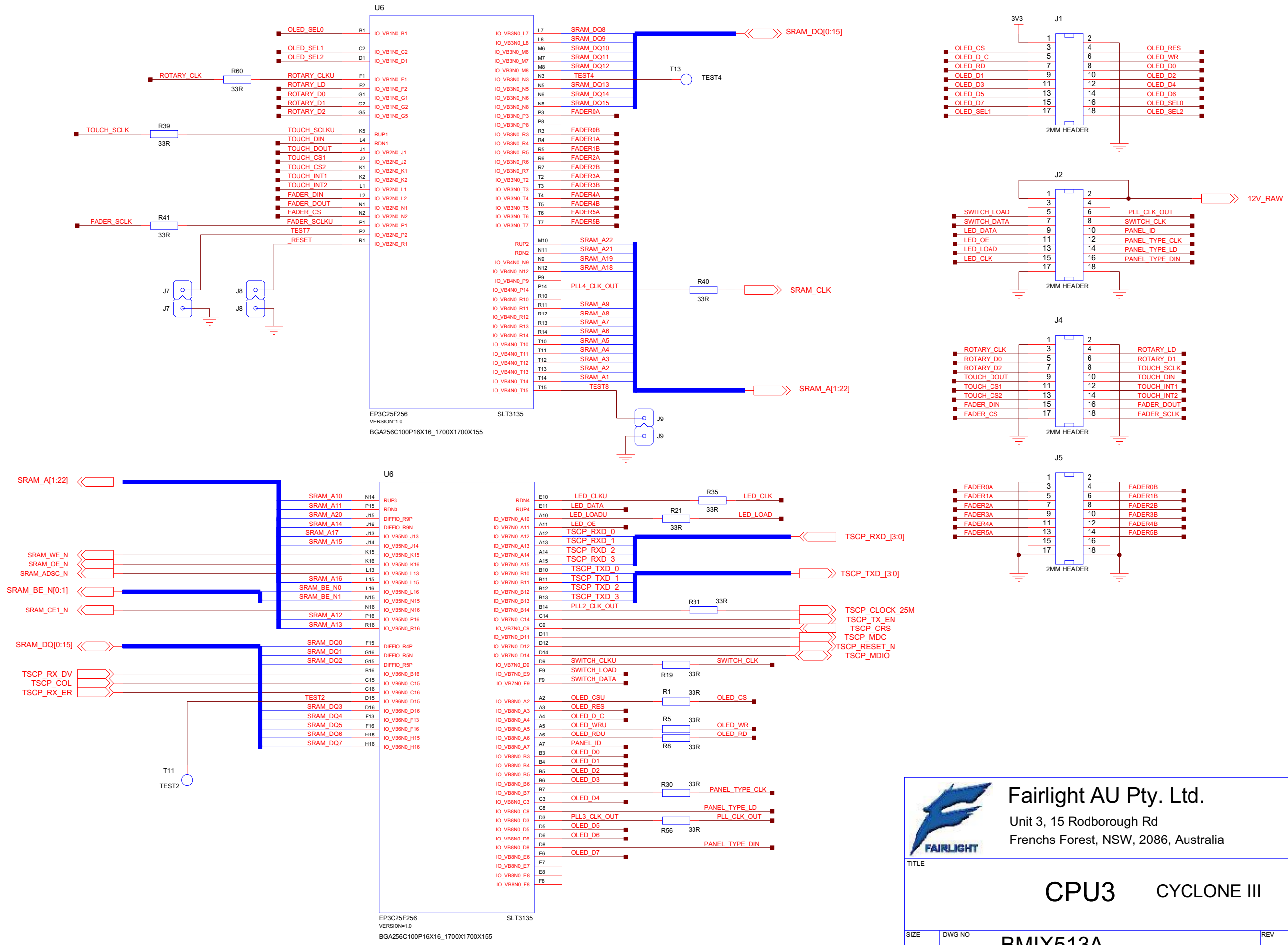
C

B

B

A

A



BMIX513A  
CPU3 PCB

**Fairlight AU Pty. Ltd.**  
 Unit 3, 15 Rodborough Rd  
 Frenchs Forest, NSW, 2086, Australia

**CPU3 CYCLONE III**

TITLE

**BMIX513A**

SIZE A3 DWG NO. REV A

SCALE SHEET 1 of 5 10-7-2009\_18:01

DRAWN BY RLS

6

5

4

3

2

1